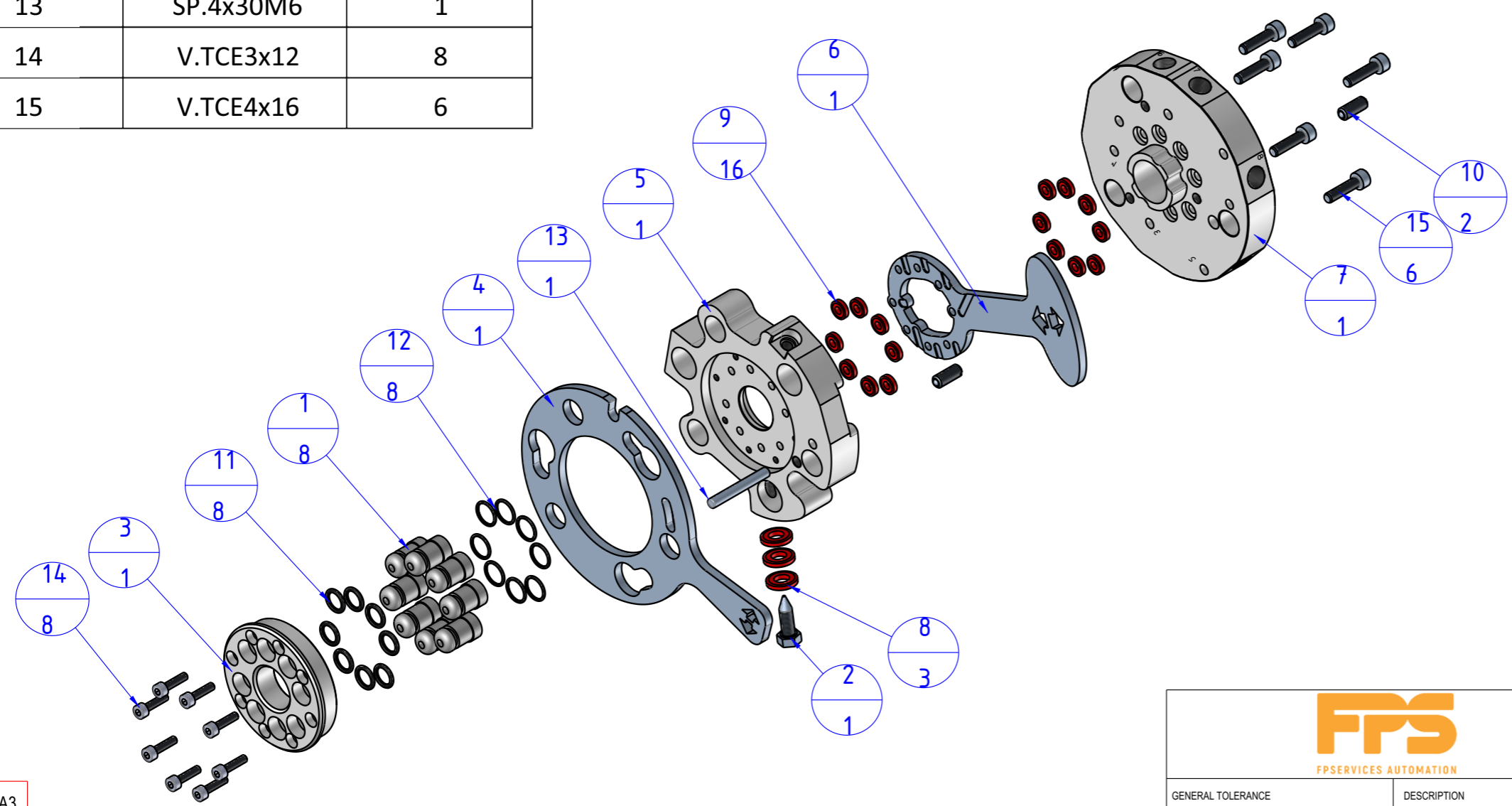
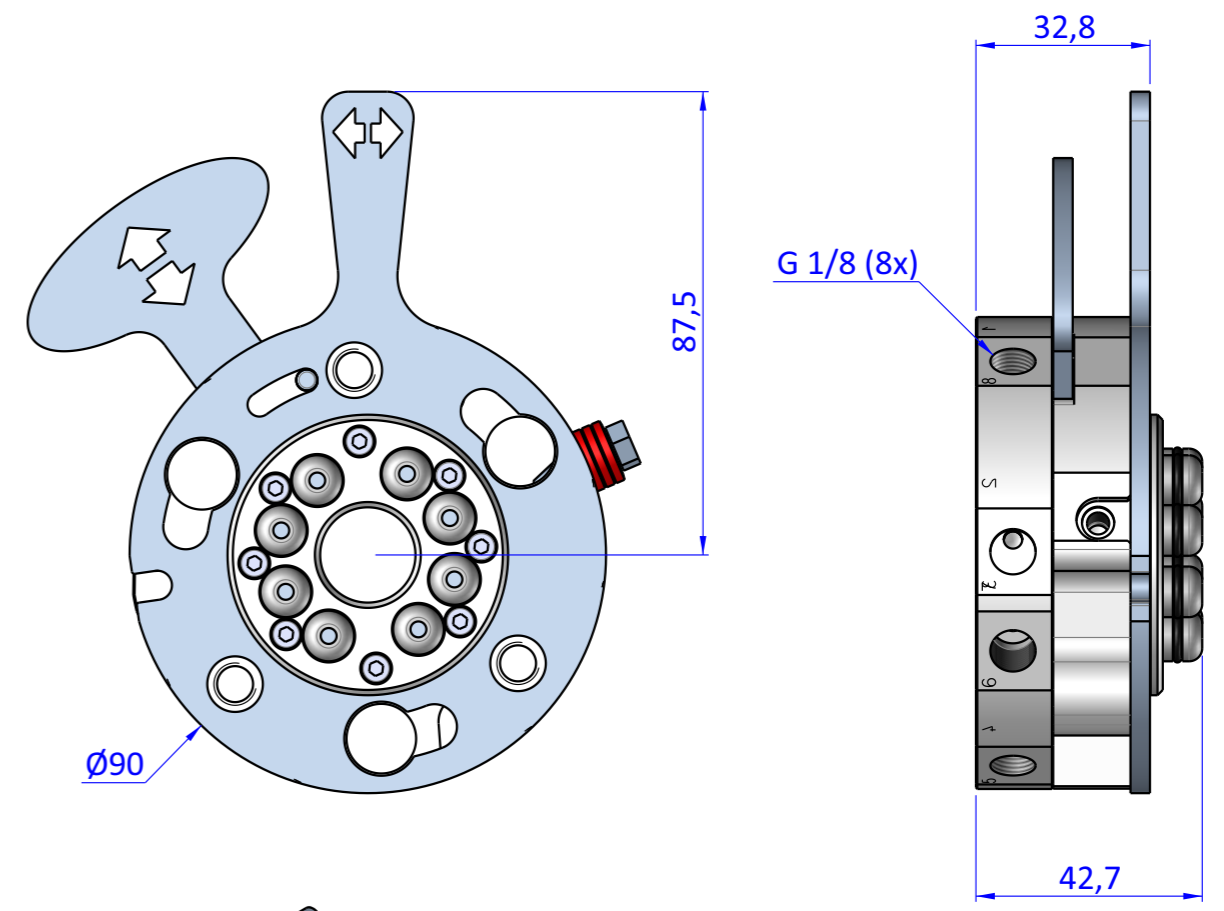



THE PROPERTY OF THE DRAWING IS ESTABLISHED BY LAW. IT IS FORBIDDEN TO PRODUCE OR SHOW IT TO THIRD PART - WITHOUT A WRITTEN AGREEMENT.

Item	Name	Q.ty
1	01.01.001.04	8
2	01.01.001.08	1
3	CUDL.90.20	1
4	CUDL.90.21L	1
5	CUDL.90.22	1
6	CUDL.90.23L	1
7	CUDL.90.24	1
8	CUDL.150.06	3
9	CUXY.90.11	16
10	EL.GN615M5K	2
11	ORM.0070.15	8
12	ORM.0085.10	8
13	SP.4x30M6	1
14	V.TCE3x12	8
15	V.TCE4x16	6



Format A3  
UNI 936-76

 <b>FPS</b> FPSERVICES AUTOMATION		DESIGNED FROM		REVIEW
		FPS Automation		A
GENERAL TOLERANCE		DATE		WEIGHT
UNI - ISO 2768		06/05/2022		0,512kg
CLASSE f		CODE		
		CA.CUDL.90		CA.CUDL.90